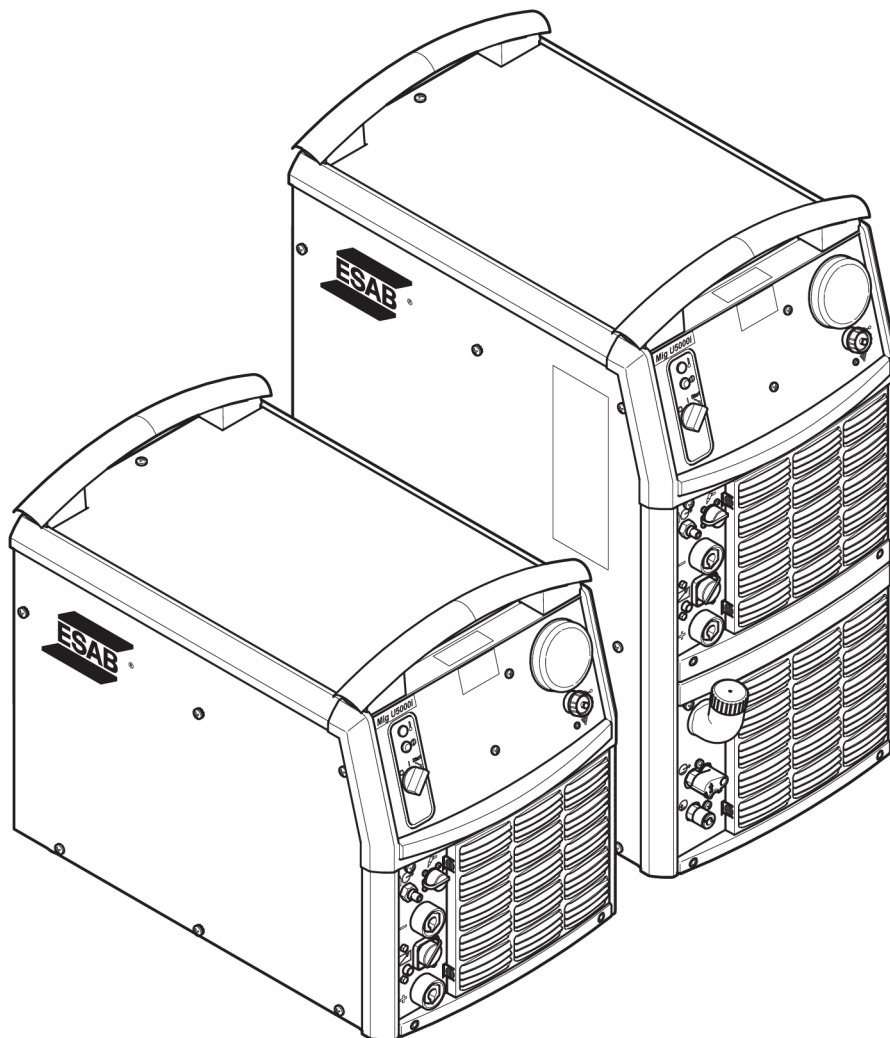




Aristo®

Mig U5000i WeldCloud™ **460 V**



Instruction manual



EU DECLARATION OF CONFORMITY

According to

The Radio Equipment Directive 2014/53/EU, entering into force 13 June 2016

The RoHS Directive 2011/65/EU, entering into force 2 January 2013

Type of equipment

Welding power source

Type designation

Mig 5000i / 5000iw WeldCloud,

from serial number 834-xxx-xxxx (2018 w34)

Mig U5000i / U5000iw WeldCloud,

from serial number 834-xxx-xxxx (2018 w34)

Brand name or trademark

ESAB

Manufacturer or his authorised representative established within the EEA

Name, address, and telephone No:

ESAB AB

Lindholmsallén 9, Box 8004, SE-402 77 Göteborg, Sweden

Phone: +46 31 50 90 00, www.esab.com

The following harmonised standard in force within the EEA has been used in the design:

EN 60974-1:2012, Arc Welding Equipment – Part 1: Welding power sources

EN 60974-2:2013, Arc Welding Equipment – Part 2: Liquid cooling systems

EN 60974-3:2013, Arc Welding Equipment – Part 3: Arc striking and stabilizing devices

EN 60974-10:2014/A1:2015, Arc Welding Equipment – Part 10: Electromagnetic compatibility (EMC) requirements

EN 303 446-2 Electromagnetic Compatibility (EMC) standard for combined and/or integrated radio and non-radio equipment; Part 2: Specific conditions for equipment intended to be used in industrial locations.

EN 301 489-1 V2.2.0 Part 1: Common technical requirements

EN 301 489-17 V3.2.0 Part 17: Specific conditions for Broadband Data Transmission Systems

EN 301 489-19 V2.1.0 Part 19: Specific conditions for GPS

EN 301 489-52 V1.1.0 Part 52: Specific conditions for Cellular Communication

Additional Information:

Restrictive use, Class A equipment, intended for use in location other than residential

By signing this document, the undersigned declares as manufacturer, or the manufacturer's authorised representative established within the EEA, that the equipment in question complies with the safety requirements stated above.

Date

Gothenburg

2018-10-19

Signature



Pedro Muniz

Position

Standard Equipment Director

CE 2018

1	SAFETY	4
1.1	Meaning of symbols	4
1.2	California Proposition 65 Warning	4
1.3	Safety precautions	4
1.4	User responsibility	8
2	INTRODUCTION	11
2.1	Equipment	11
3	TECHNICAL DATA	12
4	INSTALLATION	14
4.1	Lifting instructions	14
4.2	Placing	14
4.3	Primary input	14
4.4	Terminating resistor	15
4.5	Connection of multiple wire feed units	15
5	OPERATION	18
5.1	Connections and control devices	19
5.2	Turning on the power source	20
5.3	Fan control	20
5.4	Overheating protection	20
5.5	Cooling unit	20
5.6	Remote control unit	21
5.7	WeldCloud™ unit	21
6	MAINTENANCE	22
6.1	Daily	22
6.2	If necessary	22
6.3	Every year	23
7	TROUBLESHOOTING	24
8	ORDERING SPARE PARTS	25
	DIAGRAM	26
	ORDERING NUMBERS	27
	SPARE PARTS LIST	28
	ACCESSORIES	29

1 SAFETY

1.1 Meaning of symbols

As used throughout this manual: Means Attention! Be Alert!



DANGER!

Means immediate hazards which, if not avoided, will result in immediate, serious personal injury or loss of life.



WARNING!

Means potential hazards which could result in personal injury or loss of life.



CAUTION!

Means hazards which could result in minor personal injury.



WARNING!

Before use, read and understand the instruction manual and follow all labels, employer's safety practices and Safety Data Sheets (SDSs).



1.2 California Proposition 65 Warning



WARNING!

Welding or cutting equipment produces fumes or gases which contain chemicals known in the State of California to cause birth defects and, in some cases, cancer. (California Health & Safety Code Section 25249.5 et seq.)



WARNING!

This product can expose you to chemicals including lead, which are known to the state of California to cause cancer and birth defects or other reproductive harm. Wash hands after use.

For more information, go to www.P65Warnings.ca.gov.

1.3 Safety precautions



WARNING!

These Safety Precautions are for your protection. They summarize precautionary information from the references listed in the Additional Safety Information section. Before performing any installation or operating procedures, be sure to read and follow the safety precautions listed below as well as all other manuals, material safety data sheets, labels, etc. Failure to observe Safety Precautions can result in injury or death.



PROTECT YOURSELF AND OTHERS

Some welding, cutting and gouging processes are noisy and require ear protection. The arc, like the sun, emits ultraviolet (UV) and other radiation and can injure the skin and eyes. Hot metal can cause burns. Training in the proper use of the processes and equipment is essential to prevent accidents. Therefore:

1. Wear a welding helmet fitted with a proper shade of filter to protect your face and eyes when welding or watching.
2. Always wear safety glasses with side shields in any work area, even if welding helmets, face shields and goggles are also required.
3. Use a face shield fitted with the correct filter and cover plates to protect your eyes, face, neck and ears from sparks and rays of the arc when operating or observing operations. Warn bystanders not to look at the arc and not to expose themselves to the rays of the electric-arc or hot metal.
4. Wear flameproof gauntlet-type gloves, heavy long-sleeve shirt, cuffless pants, high-topped shoes, and a welding helmet or cap for protection, to protect against arc rays and hot sparks or hot metal. A flameproof apron may also be desirable as protection against radiated heat and sparks.
5. Hot sparks or metal can lodge in rolled up sleeves, trouser cuffs, or pockets. Sleeves and collars should be kept buttoned and open pockets eliminated from the front of the clothing.
6. Protect other personnel from arc rays and hot sparks with a suitable non-flammable partition or curtains.
7. Use goggles over safety glasses when chipping slag or grinding. Chipped slag may be hot and can fly for long distances. Bystanders should also wear goggles over safety glasses.



FIRES AND EXPLOSIONS

Heat from flames and arcs can start fires. Hot slag or sparks can also cause fires and explosions. Therefore:

1. Protect yourself and others from flying sparks and hot metal.
2. Move all combustible materials well away from the work area or cover the materials with a protective non-flammable covering. Combustible materials include wood, cloth, sawdust, liquid and gas fuels, solvents, paints, and coating paper, etc.
3. Hot sparks or hot metal can fall through cracks or crevices in floors or wall openings and cause a hidden smoldering fire or fires on the floor below. Make certain that such openings are protected from hot sparks and metal.
4. Do not weld, cut, or perform other hot work until the work piece has been completely cleaned so that there are no substances on the work piece which might produce flammable or toxic vapors. Do not perform hot work on closed containers, they may explode.
5. Have fire extinguishing equipment handy for instant use, such as a garden hose, water pail, sand bucket, or portable fire extinguisher. Be sure you are trained in its use.
6. Do not use equipment beyond its ratings. For example, an overloaded welding cable can overheat and create a fire hazard.
7. After completing work, inspect the work area to make sure there are no hot sparks or hot metal that could cause a fire later. Use fire watchers when necessary.



ELECTRICAL SHOCK

Contact with live electrical parts and ground can cause severe injury or death. DO NOT use AC welding current in damp areas, if movement is confined, or if there is danger of falling. Therefore:

1. Be sure the power source frame (chassis) is connected to the earth system of the input power.
2. Connect the workpiece to a good electrical earth.
3. Connect the work cable to the workpiece. A poor or missing connection can expose you or others to a fatal shock.
4. Use well-maintained equipment. Replace worn or damaged cables.
5. Keep everything dry, including clothing, work area, cables, torch/electrode holder and power source.
6. Make sure that all parts of your body are insulated from both the work piece and from the ground.
7. Do not stand directly on metal or the ground while working in tight quarters or a damp area; stand on dry boards or an insulating platform and wear rubber-soled shoes.
8. Put on dry, hole-free gloves before turning on the power.
9. Turn off the power, before removing your gloves.
10. Refer to ANSI/ASC Standard Z49.1 for specific grounding recommendations. Do not mistake the work lead for a earth cable.



ELECTRIC AND MAGNETIC FIELDS

May be dangerous. Electric current flowing through any conductor causes localized Electric and Magnetic Fields (EMF). Welding and cutting current creates EMF around welding cables and welding machines. Therefore:

1. Welders with pacemakers fitted should consult their doctor before welding. EMF may interfere with some pacemakers.
2. Exposure to EMF may have other health effects which are unknown.
3. Welders should use the following procedures to minimize exposure to EMF:
 - a) Route the electrode and work cables together. Secure them with tape when possible.
 - b) Never coil the torch or work cable around your body.
 - c) Do not place your body between the torch and work cables. Route cables on the same side of your body.
 - d) Connect the work cable to the workpiece as close as possible to the area being welded.
 - e) Keep the welding power source and cables as far away from your body as possible.



FUMES AND GASES

Fumes and gases, can cause discomfort or harm, particularly in confined spaces. Shielding gases can cause asphyxiation. Therefore:

1. Keep your head out of the fumes. Do not breathe the fumes and gases.
2. Always provide adequate ventilation in the work area by natural or mechanical means. Do not weld, cut or gouge on materials such as galvanized steel, stainless steel, copper, zinc, lead beryllium or cadmium unless positive mechanical ventilation is provided. Do not breathe in the fumes from these materials.

3. Do not operate near degreasing and spraying operations. The heat or arc can react with chlorinated hydrocarbon vapors to form phosgene, a highly toxic gas, and other irritant gases.
4. If you develop momentary eye, nose or throat irritation while operating, this is an indication that the ventilation is not adequate. Stop work and take the necessary steps to improve ventilation in the work area. Do not continue to operate if physical discomfort persists.
5. Refer to ANSI/ASC Standard Z49.1 for specific ventilation recommendations.
6. **WARNING:** This product when used for welding or cutting, produces fumes or gases which contain chemicals known to the State of California to cause birth defects and in some cases cancer (California Health & Safety Code §25249.5 et seq.)



CYLINDER HANDLING

Cylinders, if mishandled, can rupture and violently release gas. A sudden rupture of cylinder valve or relief device can injure or kill. Therefore:

1. Locate cylinders away from heat, sparks and flames. Never strike an arc on a cylinder.
2. Use the proper gas for the process and use the proper pressure reducing regulator designed to operate from the compressed gas cylinder. Do not use adapters. Maintain hoses and fittings in good condition. Follow the manufacturer's operating instructions for mounting a regulator to a compressed gas cylinder.
3. Always secure cylinders in an upright position, by chain or strap, to suitable hand trucks, undercarriages, benches, wall, post or racks. Never secure cylinders to work tables or fixtures where they may become part of an electrical circuit.
4. When not in use, keep cylinder valves closed. Have valve protection cap in place if regulator is not connected. Secure and move cylinders by using suitable hand trucks.



MOVING PARTS

Moving parts, such as fans, rotors and belts can cause injury. Therefore:

1. Keep all doors, panels, guards, and covers closed and securely in place.
2. Stop the engine or drive systems before installing or connecting a unit.
3. Have only qualified people remove covers for maintenance and troubleshooting as necessary
4. To prevent accidental starting of equipment during service, disconnect negative (-) battery cable from battery.
5. Keep hands, hair, loose clothing and tools away from moving parts.
6. Reinstall panels or covers and close doors when service is finished and before starting engine.



WARNING!

FALLING EQUIPMENT CAN INJURE

- Only use lifting eye to lift unit. Do NOT use running gear, gas cylinders or any other accessories.
- Use equipment of adequate capacity to lift and support unit.
- If using lift forks to move unit, be sure forks are long enough to extend beyond opposite side of unit.
- Keep cables and cords away from moving vehicles when working from an aerial location.

**WARNING!**
EQUIPMENT MAINTENANCE

Faulty or improperly maintained equipment can cause injury or death.
Therefore:

1. Always have qualified personnel perform the installation, troubleshooting and maintenance work. Do not perform any electrical work unless you are qualified to perform such work.
2. Before performing any maintenance work inside a power source, disconnect the power source from the incoming electrical power.
3. Maintain cables, earthing wire, connections, power cord and power supply in safe working order. Do not operate any equipment in faulty condition.
4. Do not abuse any equipment or accessories. Keep equipment away from heat sources such as furnaces, wet conditions such as water puddles, oil or grease, corrosive atmospheres and inclement weather.
5. Keep all safety devices and cabinet covers in position and in good repair.
6. Use equipment only for its intended purpose. Do not modify it in any manner.

**CAUTION!**
ADDITIONAL SAFETY INFORMATION

For more information on safe practices for electric arc welding and cutting equipment, ask your supplier for a copy of "Precautions and Safe Practices for Arc Welding, Cutting and Gouging," Form 52-529.

The following publications are recommended:

- ANSI/ASC Z49.1 - "Safety in Welding and Cutting"
- AWS C5.5 - "Recommended Practices for Gas Tungsten Arc Welding"
- AWS C5.6 - "Recommended Practices for Gas Metal Arc welding"
- AWS SP - "Safe practices" - Reprint, Welding Handbook
- ANSI/AWS F4.1 - "Recommended Safe Practices for Welding and Cutting of Containers That Have Held Hazardous Substances"
- OSHA 29 CFR 1910 - "Safety and health standards"
- CSA W117.2 - "Code for safety in welding and cutting"
- NFPA Standard 51B, "Fire Prevention During Welding, Cutting, and Other Hot Work"
- CGA Standard P-1, "Precautions for Safe Handling of Compressed Gases in Cylinders"
- ANSI Z87.1, "Occupational and Educational Personal Eye and Face Protection Devices"

1.4 User responsibility

Users of ESAB equipment have the ultimate responsibility for ensuring that anyone who works on or near the equipment observes all the relevant safety precautions. Safety precautions must meet the requirements that apply to this type of equipment. The following recommendations should be observed, in addition to the standard regulations that apply to the workplace.

All work must be carried out by trained personnel well-acquainted with the operation of the equipment. Incorrect operation of the equipment may lead to hazardous situations, which could result in injury to the operator and damage to the equipment.

1. Anyone who uses the equipment must be familiar with:
 - its operation
 - the location of emergency stops
 - its function
 - the relevant safety precautions
 - welding and cutting or other applicable operation of the equipment
2. The operator must ensure that:
 - no unauthorized person is within the working area of the equipment when it is started up
 - no-one is unprotected when the arc is struck or work is started with the equipment
3. The workplace must:
 - be suitable for the purpose
 - be free from drafts
4. Personal safety equipment:
 - Always wear recommended personal safety equipment, such as safety glasses, flame-proof clothing, safety gloves
 - Do not wear loose-fitting items, such as scarves, bracelets, rings, etc., which could become trapped or cause burns
5. General precautions:
 - Make sure the return cable is connected securely
 - Work on high voltage equipment **may only be carried out by a qualified electrician**
 - Appropriate fire extinguishing equipment must be clearly marked and close at hand
 - Lubrication and maintenance must **not** be carried out on the equipment during operation



WARNING!

Arc welding and cutting may cause injury to yourself and others. Take precautions when welding and cutting.



ELECTRIC SHOCK - Can kill

- Install and ground the unit in accordance with instruction manual.
- Do not touch live electrical parts or electrodes with bare skin, wet gloves, or wet clothing.
- Insulate yourself from work and ground.
- Ensure your working position is safe



ELECTRIC AND MAGNETIC FIELDS - Can be dangerous to health

- Welders with pacemakers fitted should consult their doctor before welding. EMF may interfere with some pacemakers.
- Exposure to EMF may have other health effects which are unknown.
- Welders should use the following procedures to minimize exposure to EMF:
 - Route the electrode and work cables together on the same side of your body. Secure them with tape when possible. Do not place your body between the torch and work cables. Never coil the torch or work cable around your body. Keep the welding power source and cables as far away from your body as possible.
 - Connect the work cable to the workpiece as close as possible to the area being welded.



FUMES AND GASES - Can be dangerous to health

- Keep your head out of the fumes.
- Use ventilation, extraction at the arc, or both, to take fumes and gases away from your breathing zone and the general area.



ARC RAYS - Can injure eyes and burn skin

- Protect your eyes and body. Use the correct welding screen and filter lens and wear protective clothing.
- Protect bystanders with suitable screens or curtains.



NOISE - Excessive noise can damage hearing

Protect your ears. Use ear defenders or other hearing protection.



MOVING PARTS - Can cause injuries

- Keep all doors, panels and covers closed and securely in place. Have only qualified people remove covers for maintenance and troubleshooting as necessary. Reinstall panels or covers and close doors when service is finished and before starting engine.
- Stop engine before installing or connecting unit.
- Keep hands, hair, loose clothing and tools away from moving parts.



FIRE HAZARD

- Sparks (spatter) can cause a fire. Make sure there are no inflammable materials nearby.
- Do not use on closed containers.



HOT SURFACE - Parts can burn

- Do not touch parts bare handed.
- Allow cooling period before working on equipment.
- To handle hot parts, use proper tools and/or insulated welding gloves to prevent burns.



MALFUNCTION - Call for expert assistance in the event of malfunction.

PROTECT YOURSELF AND OTHERS!



WARNING!

Do not use the power source for thawing frozen pipes.



CAUTION!

This product is solely intended for arc welding.

ESAB has an assortment of welding accessories and personal protection equipment for purchase. For ordering information contact your local ESAB dealer or visit us on our website.

2 INTRODUCTION

The **Mig U5000i WeldCloud™** is a GMAW/TIG welding power source, which can also be used for SMAW (Shielded Metal Arc Welding).

The manual is valid for:

- Mig U5000i with WeldCloud™ unit
- Mig U5000iw with cooling unit and WeldCloud™ unit



NOTE!

These instructions describe a Mig U5000iw WeldCloud™ with a cooling unit.

The power source is intended for use with the Feed 3004 or Feed 4804 wire feed units.

All the settings are made from the wire feed unit or control box.

The **Mig U5000i WeldCloud™** power source is combined with U8² and provides a control box which enables wireless monitoring.

ESAB accessories for the product can be found in the "ACCESSORIES" chapter of this manual.

For more information about feed units, refer to the Instruction manuals.

For more information about WeldCloud™, refer to the Quick start guide.

2.1 Equipment

The power source is supplied complete with terminating resistor and instruction manual.

3 TECHNICAL DATA

Mig U5000i WeldCloud™	
Main voltage	460 V ±10%, 3~ 50/60 Hz
Main supply	S _{scmin} 8.7 MVA Z _{max} 0.018 Ω
Primary current	
I _{max} GMAW (MIG/MAG)	33 A
I _{max} SMAW (MMA)	34 A
I _{max} GTAW (TIG)	26 A
No-load power demand in energy-saving mode, 6.5 min. after welding	
GTAW/GMAW (TIG/MIG)	45 W
SMAW (MMA)	55 W
Voltage/current range	
GMAW (MIG/MAG)	8 - 60 V / 16 - 500 A
SMAW (MMA)	16 - 500 A
GTAW (TIG)	4 - 500 A
Permissible load at GMAW (MIG/MAG)	
60 % duty cycle	500 A/39 V
100 % duty cycle	400 A/34 V
Permissible load SMAW (MMA)	
60 % duty cycle	500 A/40 V
100 % duty cycle	400 A/36 V
Permissible load at GTAW (TIG)	
60 % duty cycle	500 A/30 V
100 % duty cycle	400 A/26 V
Power factor at maximum current (I ²)	
SMAW (MMA)	58.3 / 0.91
GTAW (TIG)	58.3 / 0.90
GMAW (MIG/MAG)	58.3 / 0.90
Efficiency at maximum current (I ²)	
SMAW (MMA)	87 %
GTAW (TIG)	82 %
GMAW (MIG/MAG)	83 %
Open-circuit voltage U⁰ max	
GMAW (MIG/MAG), GTAW (TIG) without VRD function ¹⁾	72 - 88 V
SMAW (MMA) without VRD function ¹⁾	68 - 80 V
U ^{0L} "Live TIG", VRD function deactivated ²⁾	79 V
GMAW (MIG/MAG), SMAW (MMA), VRD function deactivated ²⁾	59 V
VRD function activated ²⁾	< 35 V

	Mig U5000i WeldCloud™
Operating temperature	32 to 104°F (14 to 104 °F) (-10 to +40°C)
Transportation temperature	32 to 104°F (-4 to 131 °F) (-20 to +55 °C)
Dimensions l × w × h without cooling unit	24.6 × 15.5 × 19.5 in. (625 × 394 × 496 mm)
with cooling unit	24.6 × 15.5 × 30.6 in. (625 × 394 × 776 mm)
Continual sound pressure at no-load	<70 dB (A)
Weight without cooling unit	83 kg (183 lb)
with cooling unit	103 kg (227 lb)
Insulation class transformer	H
Enclosure class	IP23
Application class	S

1) Valid for power sources without VRD specification on the rating plate.

2) Valid for power sources with VRD specification on the rating plate. The VRD function is explained in the instruction manuals for the control panel, if the panel has that function.

Duty cycle

The duty cycle refers to the time as a percentage of a ten-minute period that you can weld or cut at a certain load without overloading. The duty cycle is valid for 104 °F (40 °C) or below.

Enclosure class

The **IP** code indicates the enclosure class, i.e. the degree of protection against penetration by solid objects or water.

Equipment marked **IP23** is intended for indoor and outdoor use.

Application class

The symbol **S** indicates that the power source is designed for use in areas with increased electrical hazard.

Cooling unit	
Cooling power	2.0 kW at 104°F (40°C) temp. difference and flow 0.26 gal/min
Coolant	ESAB's ready mixed coolant
Coolant quantity	1.5 gal
Maximum water flow	0.6 gal/min
Maximum number of water-cooled welding torches that may be connected	Two GMAW welding torches or one GTAW torch and one GMAW welding torch

4 INSTALLATION

The installation must be carried out by a professional.

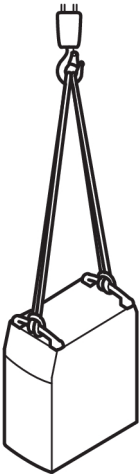
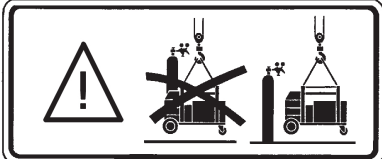
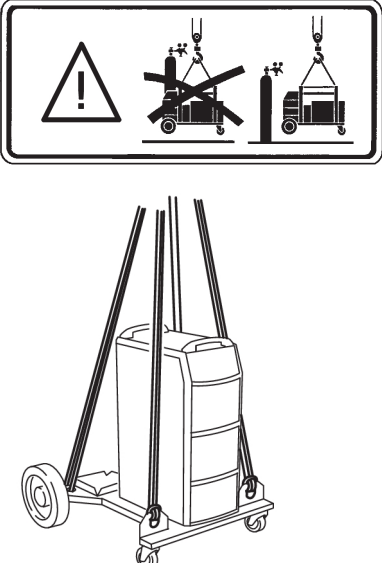
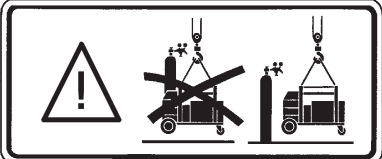



NOTE!

Mains supply requirements

This equipment complies with IEC 61000-3-12 provided that the short-circuit power is greater than or equal to S^{scmin} at the interface point between the user's supply and the public system. It is the responsibility of the installer or user of the equipment to ensure, by consultation with the distribution network operator if necessary, that the equipment is connected only to a supply with a short-circuit power greater than or equal to S^{scmin} . Refer to the technical data in the TECHNICAL DATA chapter.

4.1 Lifting instructions

Power source	Trolley and power source	Trolley 2 and power source
	 	 

4.2 Placing

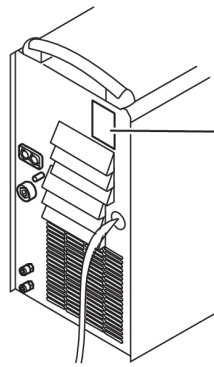
Position the welding power source such that its cooling air inlets and outlets are not obstructed.

4.3 Primary input



WARNING!

ELECTRIC SHOCK CAN KILL! PRECAUTIONARY MEASURES SHOULD BE TAKEN TO PROVIDE MAXIMUM PROTECTION AGAINST ELECTRIC SHOCK. BE SURE THAT ALL POWER IS OFF BY OPENING THE LINE (WALL) DISCONNECT SWITCH WHEN PRIMARY ELECTRICAL CONNECTIONS ARE MADE TO THE POWER SOURCE. BE SURE TO CHECK YOUR INPUT LEADS WITH A VOLTMETER TO MAKE SURE ALL POWER IS OFF.



Check that the unit is connected to the correct main supply voltage, and that it is protected by the correct fuse sizes. A protective ground connection must be made, in accordance with regulations.

Rating plate with supply connection data

Recommended fuse sizes and minimum cable areas

Mig U5000i WeldCloud™	460 V 3~ 60 Hz
Main voltage	460 V
Main cable area, CU/AWG (mm ²)	10(6)
Phase current, I RMS	24 A
Fuse, Time Delay	25 A



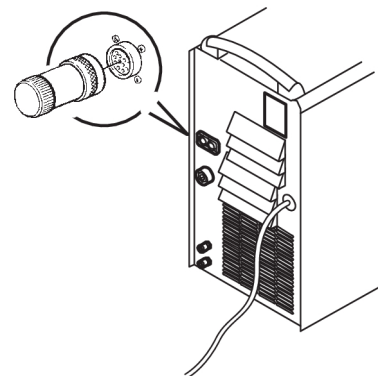
NOTE!

Sizes per National Electric Code for 90°C rated copper conductors @ 30°C ambient. Not more than three conductors in raceway or cable. Local codes should be followed if they specify larger sizes other than those listed above.

4.4 Terminating resistor

In order to avoid communication interference, the ends of the CAN bus must have terminating resistors.

One end of the CAN bus is at the control panel, which has an integral terminating resistor. The other end at the power source must have a terminating resistor, as shown on the right.



4.5 Connection of multiple wire feed units

With control unit and wire feed units without control panel (M0), you can manage up to 4 wire feed units from one power source.

You can choose between the following connections:

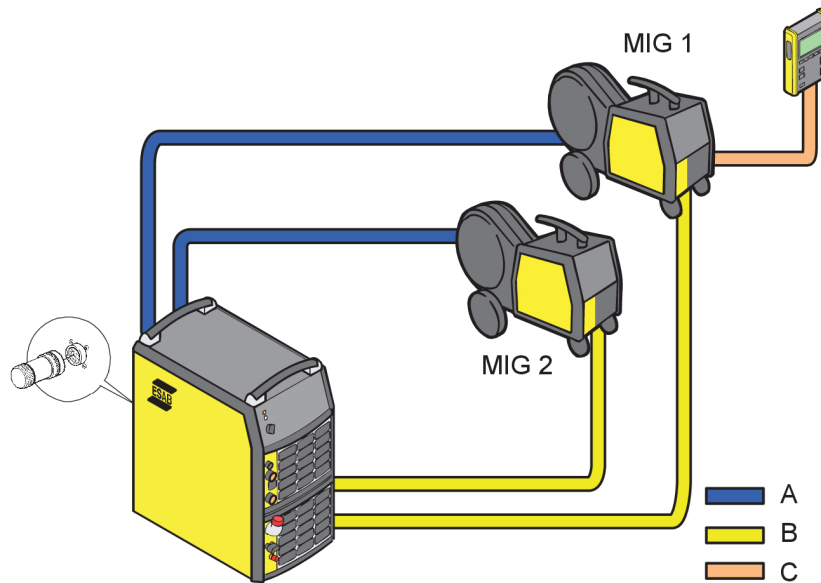
- 1 GTAW (TIG) torch and 1 GMAW (MIG/MAG) gun (Universal power source required)
- 2 GMAW (MIG/MAG) guns
- 1 GTAW (TIG) torch and 3 GMAW (MIG/MAG) guns (Universal power source required)
- 4 GMAW (MIG/MAG) guns

When welding with water-cooled GMAW guns on all wire feed units, it is recommended to connect a separate cooling unit for the two extra guns.

We recommend connecting the guns in parallel.

Two wire feed units

A connection kit is required when connecting two wire feed units, see "ACCESSORIES" chapter.



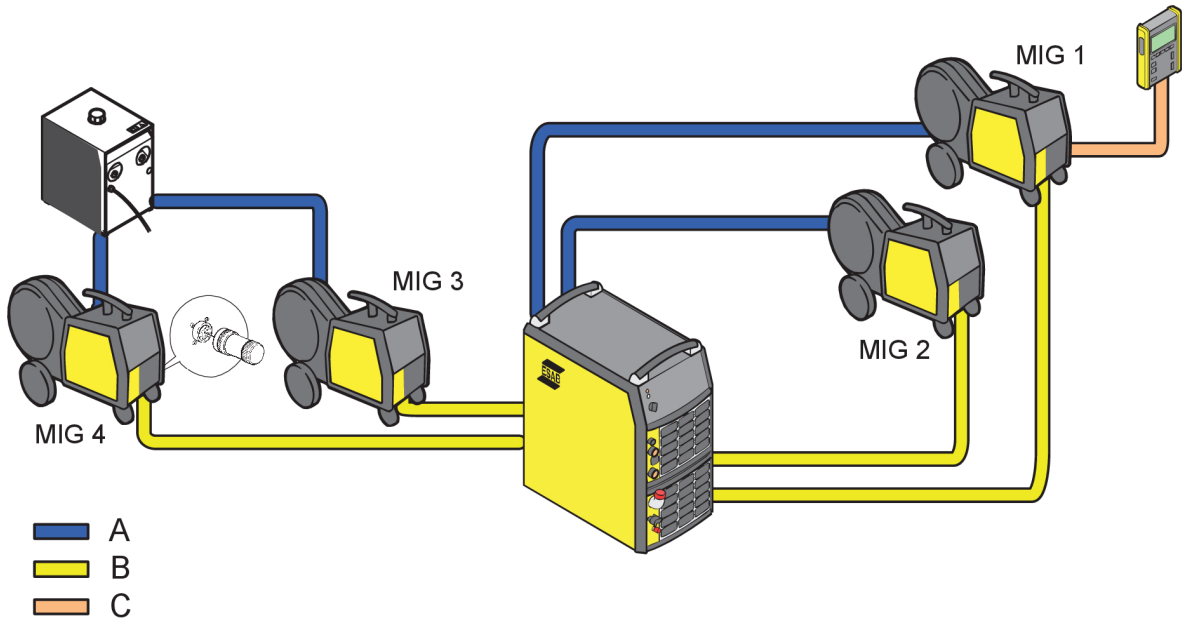
A. Water connection

B. Welding current connection

C. Control box connection

Four wire feed units

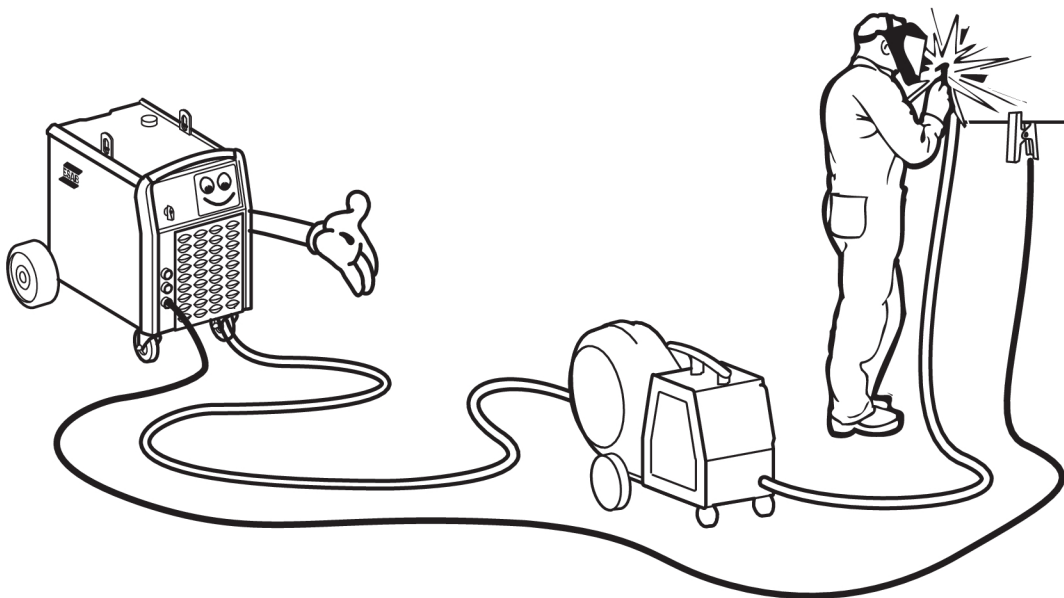
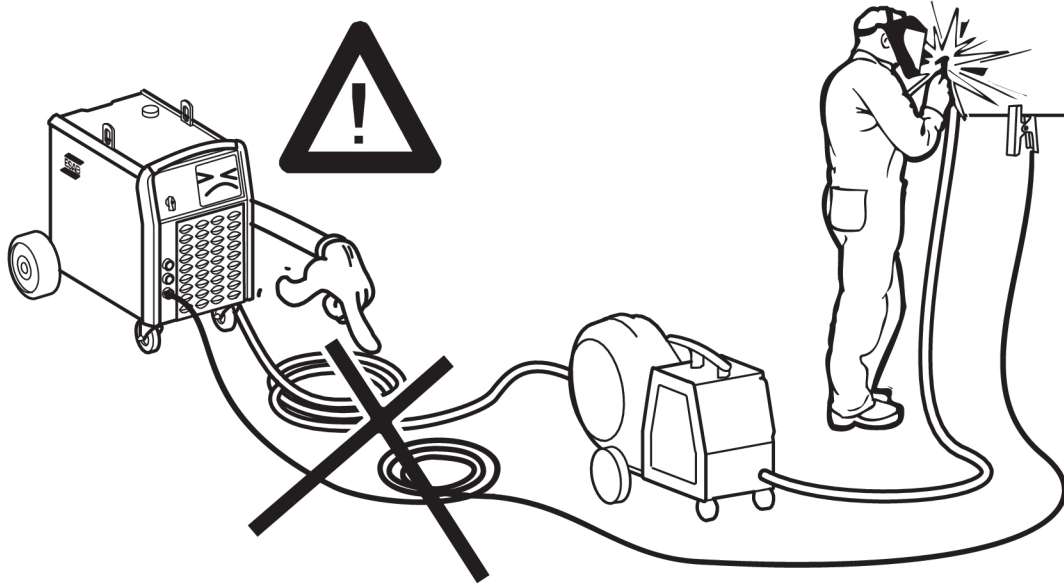
Two connection kits and an extra cooling unit are required when connecting four wire feed units, see "ACCESSORIES" chapter.



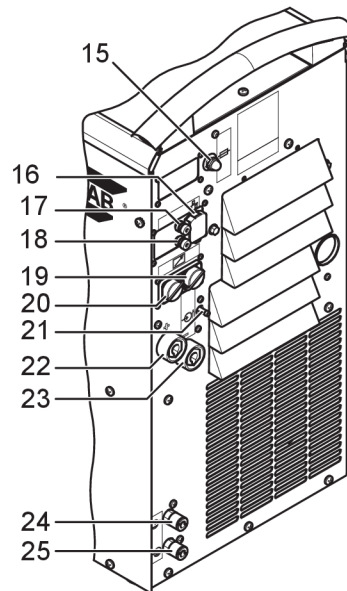
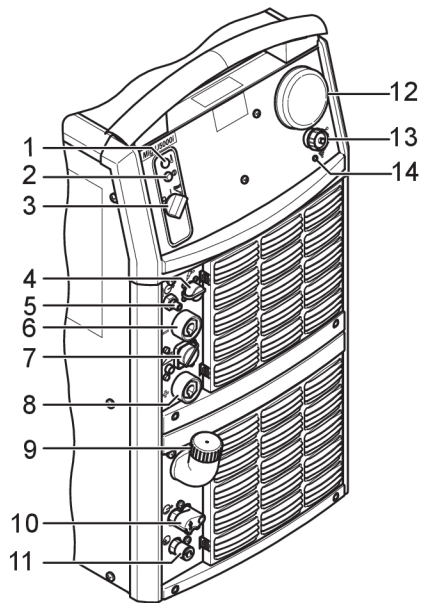
- A. Water connection
- B. Welding current connection
- C. Control box connection

5 OPERATION

General safety regulations for handling the equipment can be found in the "SAFETY" chapter of this manual. Read it through before you start using the equipment!



5.1 Connections and control devices



- | | |
|---|--|
| 1 Orange indicating lamp - Overheating | 58. Red indicating lamp - Wi-Fi Connectivity
3 /
14 |
| 2 White indicating lamp - Power supply ON | 58. Fuse for supply voltage for feeder unit,
3 / 42 V
15 |
| 58. Main power supply switch, 0 / 1 / START
3 /
3 | 58. Connection for Ethernet
3 /
16 |
| 58. Connection for start signal from the torch
3 /
4 | 58. Measure outlet screw terminal Red (+)
3 /
17 |
| 58. Connection for gas to the TIG torch
3 /
5 | 58. Measure outlet screw terminal Black (-)
3 /
18 |
| 58. Connection (-) for return cable at SMAW
3 / and GMAW or for welding current cable
6 at TIG (GTAW) | 58. Connection for control cable to the wire
3 / feed unit or to the terminating resistor
19 |
| 58. Connection for remote control
3 /
7 | 58. Connection for control cable to the wire
3 / feed unit or for the terminating resistor
20 |
| 58. Connection (+) for welding current cable
3 / at SMAW (MMA) welding or for return
8 cable at TIG (GTAW) welding | 58. Connection for gas hose
3 /
21 |
| 58. Cooling water filler
3 /
9 | 58. Connection (+) for welding current cable
3 / to the wire feed unit
22 |
| 58. Connection with ELP ¹ for cooling water
3 / to the TIG torch - BLUE
10 | 58. Connection (-) for the return cable wire
3 / feeder unit
23 |

58. Connection for cooling water from the
3 / TIG torch - RED
11

58. Antenna
3 /
12

58. USB Connectivity
3 /
13

58. Connection for cooling water to the wire
3 / feed unit - BLUE
24

58. Connection for cooling water from the
3 / wire feed unit - RED
25

1) ELP = ESAB Logic Pump, see "Cooling unit" section in this chapter.

5.2 Turning on the power source

Turn on the main power by turning switch (7) to the "START" position. Release the switch, and it will return to the "1" position.

If the main power supply is interrupted while welding is in progress, and then is restored, the power source will remain de-energized until the switch is again turned manually to the "START" position.

Turn the unit off by turning the switch to the "0" position.

If the supply power fails or the power source is turned off in the normal manner, the welding data will be stored so that it is available next time the unit is started.

5.3 Fan control

The power source fans continue to run for 6.5 minutes after welding has stopped, and the unit switches to energy-saving mode. They start again when welding resumes.

The fans run at reduced speed for welding currents up to 180 A, and at full speed for higher currents.

5.4 Overheating protection

The power source has two thermal overload trips which operate if the internal temperature becomes too high, interrupting the welding current and lighting the orange indicating lamp on the front of the unit. They reset automatically when the temperature has fallen.

5.5 Cooling unit

To ensure problem-free operation, the installation height from the cooling unit to the welding torch must be max. 7 m. Heights in excess of this can cause problems, such as long starting times, air bubbles, vacuums, etc.

If an installation height in excess of 7 m is required, we recommend an installation kit comprising a non-return valve and a solenoid valve, refer to accessories in the "ACCESSORIES" chapter. Once these valves have been installed, the hose package must be horizontal during the initial startup so that everything fills with water. Then raise the wire feed unit and hose package to the high height. Continued safe operation at installation heights of up to 12 m can now begin.

Water connection (GTAW)

The cooling unit is equipped with an **ELP (ESAB Logic Pump)** detection system, which checks that the water hoses are connected.

The power source On/Off switch must be in the "0" position (Off) when connecting a water-cooled GTA torch.

If a water-cooled GTA torch is connected, the water pump starts automatically when the main On/Off switch is turned to “START” and/or when welding starts. After welding, the pump continues to run for 6.5 minutes, and then switches to the energy-saving mode.

Function when welding

To start welding, the welder presses the welding torch trigger switch. The power source turns on and starts the wire feed and the cooling water pump.

To stop welding, the welder releases the welding torch trigger switch. Welding ceases, but the cooling water pump continues to run for 6.5 minutes, after which the unit switches to energy-saving mode.

Water flow guard

The water flow guard interrupts the welding current in the event of loss of coolant, and displays an error message on the control panel. The water flow guard is an accessory.

5.6 Remote control unit

When the remote control unit is connected, the power source and wire feed unit are in remote control mode; the buttons and knobs are blocked. The functions can only be adjusted via the remote unit.

If the remote control unit is not to be used, the remote control unit must be disconnected from the power source/wire feed unit, as otherwise it will remain in remote control mode.

For more information about the operation of the remote control unit, see the operating instructions for the control panel.

5.7 WeldCloud™ unit

The WeldCloud™ unit connects the welding power source with a local WeldCloud™ server through Wi-Fi or Wired LAN. The WeldCloud™ unit is equipped with GPS to track the location of the welding power source. It also has Bluetooth connectivity to enable connection with 3rd party input devices, for example a Bluetooth enabled barcode/QR scanner.

The WeldCloud™ unit Wi-Fi is enabled at power up of the power source. It will start as a hotspot that appears as an available Wi-Fi network. After establishing connection, it is possible to access the web interface of the power source for a one-time set-up. After set-up and restart, the power source will be visible in WeldCloud™. For more information about the WeldCloud™ unit and features, see the WeldCloud™ instruction manual.

6 MAINTENANCE



NOTE!

Regular maintenance is important for safe and reliable operation.

Only individuals with the appropriate electrical knowledge (authorised personnel) may remove the safety plates to connect or carry out service, maintenance or repair work on welding equipment.



CAUTION!

All warranty undertakings from the supplier cease to apply if the customer attempts any work to rectify any faults in the product during the warranty period.

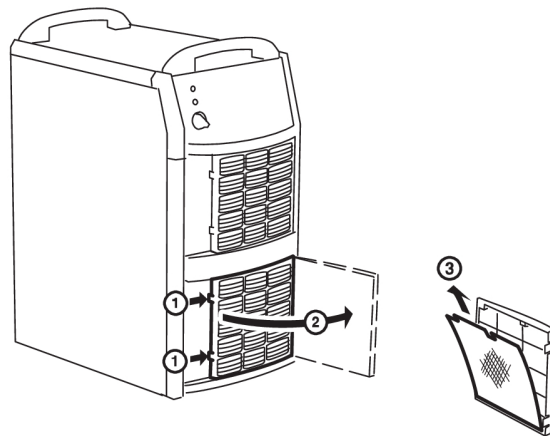
6.1 Daily

Carry out the following maintenance every day.

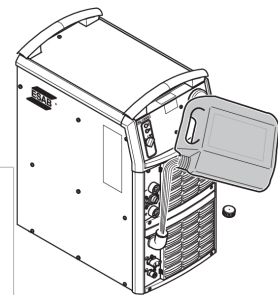
- Check that all cables and connections are fault-free. Tighten if necessary and replace any defective parts.
- Check the water level and water flow, top up with coolant if necessary.

6.2 If necessary

- Regularly check that the power source is not clogged with dirt. Clogged or blocked air inlets and outlets result in overheating.
- Clean the dust filter.
 - Remove the fan grille with the dust filter (1).
 - Swing out the grille (2).
 - Release the dust filter (3).
 - Blow the filter clean with compressed air (reduced pressure).
 - Reinstall the filter with the finer mesh on the side against the grille (2) (out from the power source).
 - Reinstall the fan grille with the dust filter.



- Top up with coolant
ESAB's ready mixed coolant is recommended for use. See "ACCESSORIES" chapter.
 - Top up with coolant until it covers half the inlet pipe.



NOTE!

Coolant must be topped up if connecting a welding torch or connection cables that are 5 m in length or longer. When adjusting the water level by topping up, the coolant hose does not need to be disconnected.



CAUTION!

The coolant must be handled as chemical waste.

6.3 Every year

Carry out the following maintenance at least once a year.

- Clean off any dirt and dust. Blow the power source clean with dry compressed air (reduced pressure).
- Change the coolant and clean the hoses and water reservoir with clean water.
- Check seals, cables and connections. Tighten if necessary and replace any defective parts.

7 TROUBLESHOOTING

Try these recommended checks and inspections before sending for an authorized service technician.

Type of fault	Action
No arc.	<ul style="list-style-type: none"> • Check that the main power supply switch is turned on. • Check that the welding current supply and return cables are correctly connected. • Check that the correct current value is set.
Welding current is interrupted during welding.	<ul style="list-style-type: none"> • Check whether the thermal overload trips have operated (indicated by the orange lamp on the front panel). • Check the main power supply fuses.
The thermal overload trips operate frequently.	<ul style="list-style-type: none"> • Check to see whether the air filters are clogged. • Make sure that you are not exceeding the rated data for the power source (i.e. that the unit is not being overloaded).
Poor welding performance.	<ul style="list-style-type: none"> • Check that the welding current supply and return cables are correctly connected. • Check that the correct current value is set. • Check that the correct electrodes are being used. • Check the main power supply fuses.

8 ORDERING SPARE PARTS



CAUTION!

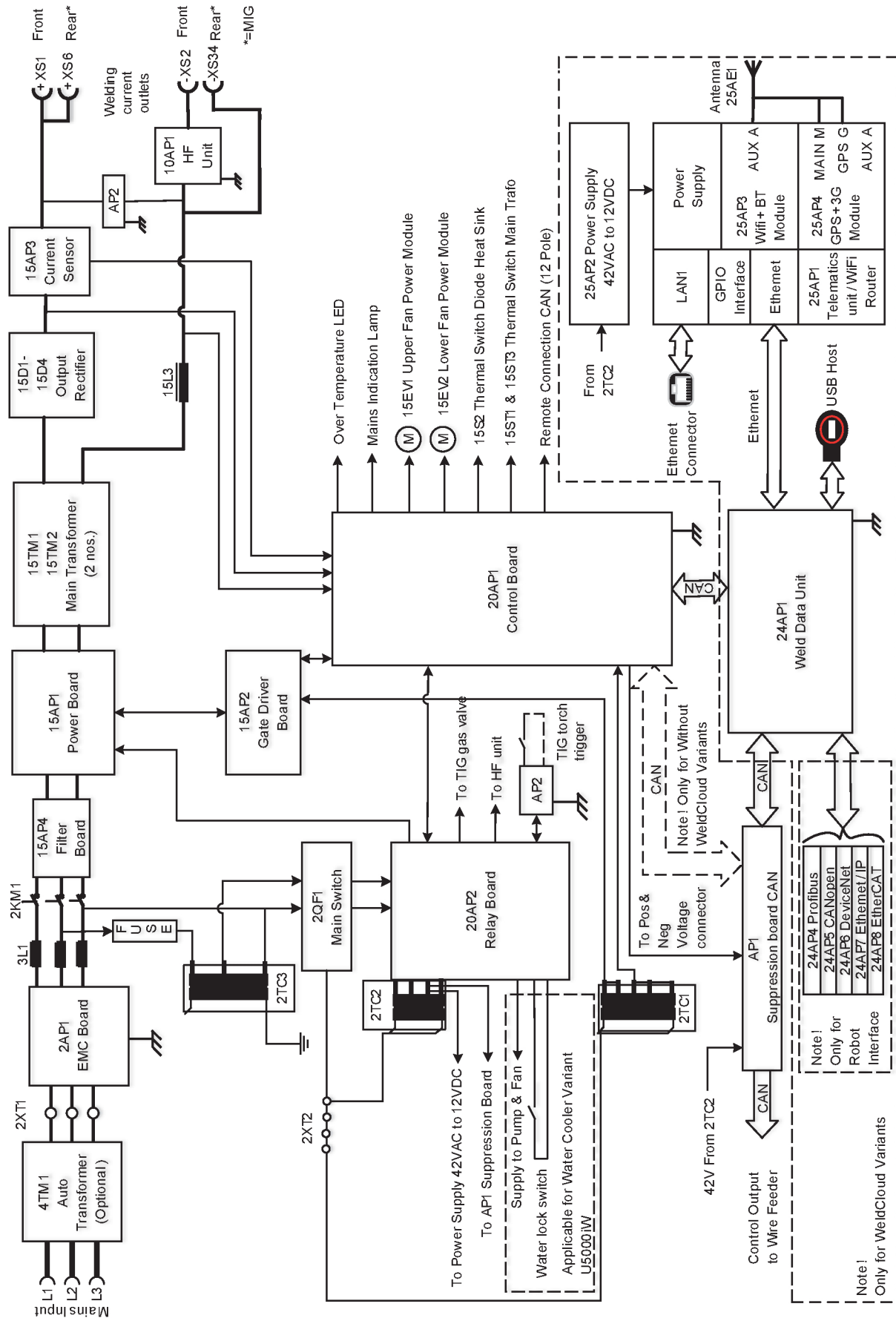
Repair and electrical work should be performed by an authorized ESAB service technician. Use only ESAB original spare and wear parts.

Mig U5000i WeldCloud™ and Mig U5000iw WeldCloud™ are designed and tested in accordance with the international and European standards **IEC/EN 60974-1/-2/-3** and **EN 60974-10**.

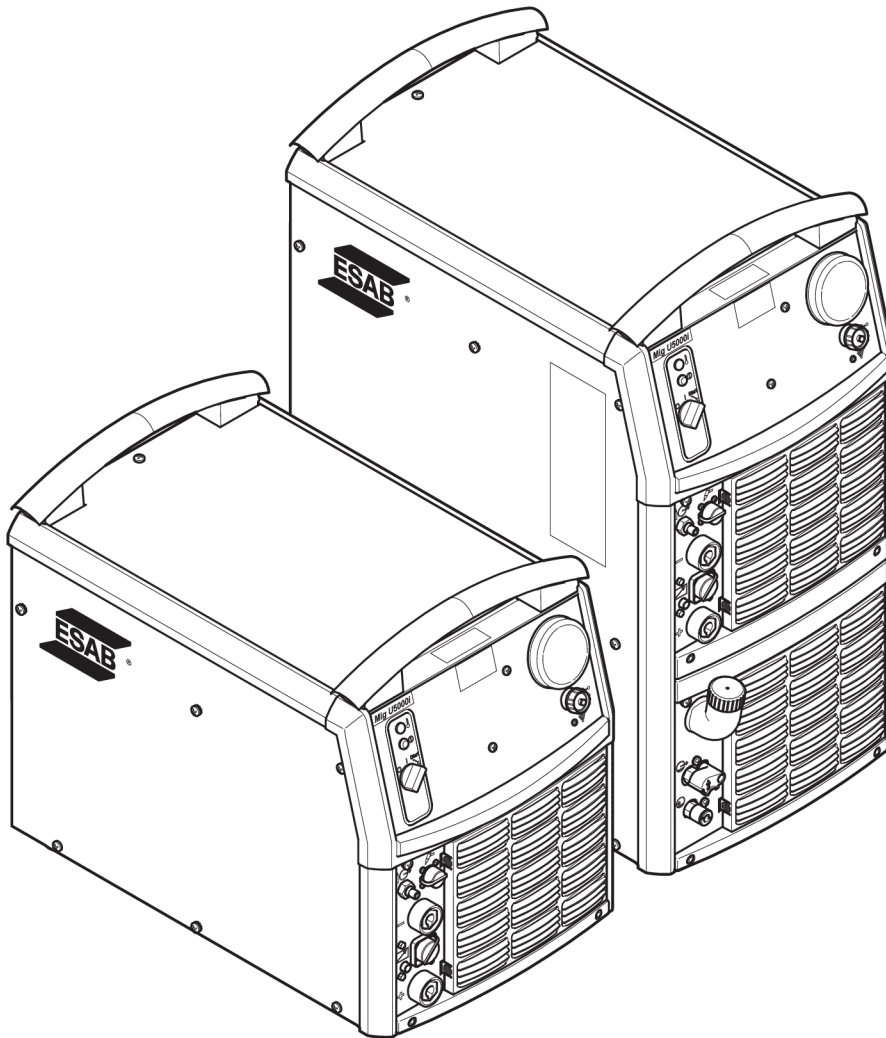
It is the obligation of the service unit which carried out the service or repair work to make sure that the product still conforms to these standards.

Spare parts and wear parts can be ordered through your nearest ESAB dealer, see the back cover of this document. When ordering, please state product type, serial number, designation and spare part number in accordance with the spare parts list. This facilitates dispatch and ensures correct delivery.

DIAGRAM



ORDERING NUMBERS

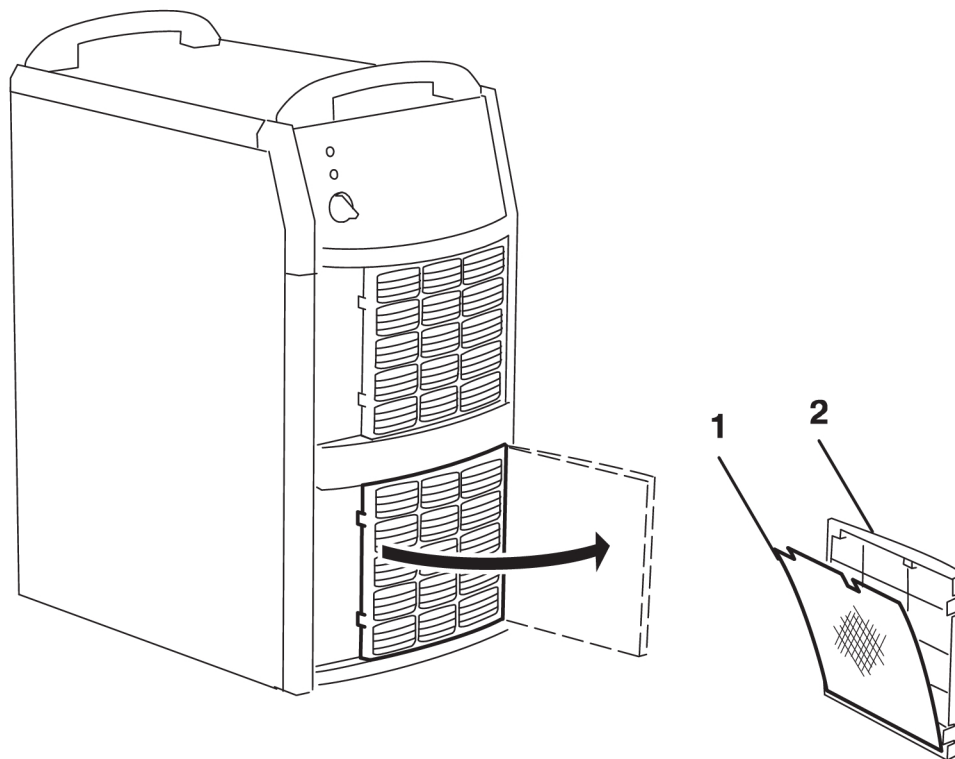


Ordering no.	Denomination	Product	Notes
0445 400 885	Welding power source	Mig U5000i WeldCloud™, 460 V	With WeldCloud™ unit
0445 400 886	Welding power source	Mig U5000iw WeldCloud™, 460 V	With cooling unit and WeldCloud™ unit
0459 839 020	Spare parts list	Mig 5000i, Mig U5000i, Mig 5000i WeldCloud™, Mig U5000i WeldCloud™	

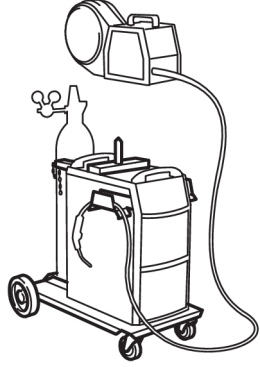
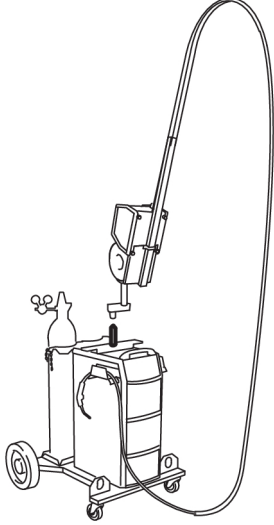
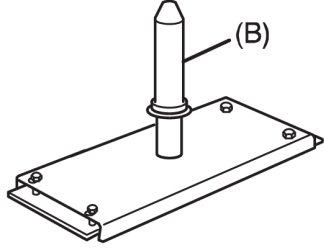
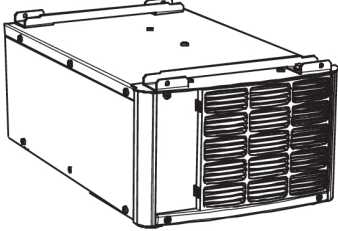
Technical documentation is available on the Internet at: www.esab.com

SPARE PARTS LIST

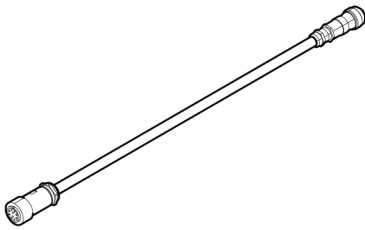
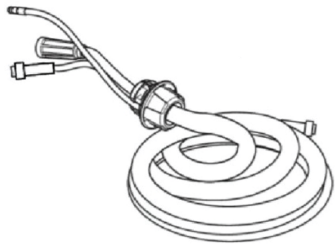
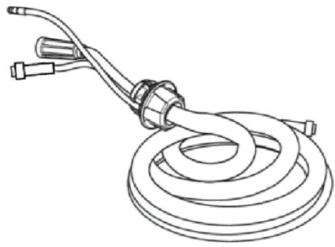
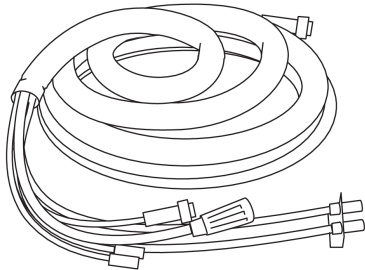
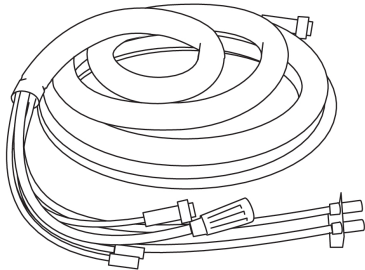

Item	Ordering no.	Denomination
1	0458 398 001	Filter
2	0458 383 991	Front grill

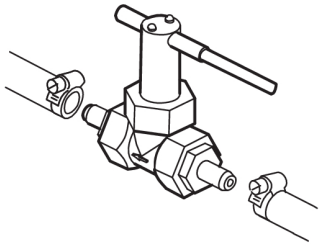
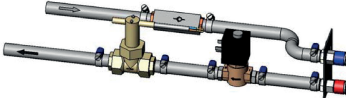
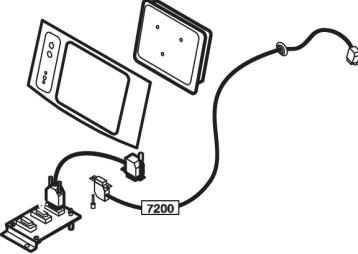
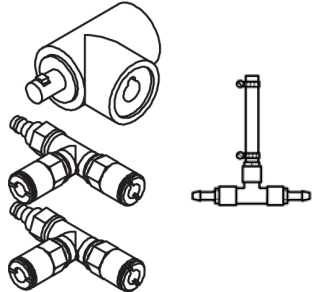
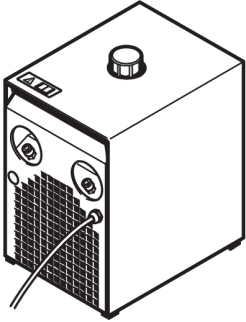



ACCESSORIES

0458 530 880	Trolley	
0458 603 880	Trolley 2 (for feeder with counterbalance device and/or 2 gas bottles)	
0458 731 880 0278 300 401	Guide pin (B) Insulating bushing, included in guide pin	
0459 145 880	Autotransformer TUA2	

0459 307 881	Handle (1 piece) with mounting screws	
0459 491 910	Remote control adapter RA12 12 pole For analogue remote controls to CAN based equipment.	
0459 491 880	Remote control unit MTA1 CAN MIG/MAG: wire feed speed and voltage MMA: current and arc force TIG: current, pulse and background current	
0459 491 882	Remote control unit M1 10Prog CAN Choice of one of 10 programs MIG/MAG: voltage deviation TIG and MMA: current deviation	
0459 491 883	Remote control unit AT1 CAN MMA and TIG: current	
0459 491 884	Remote control unit AT1 CF CAN MMA and TIG: rough and fine setting of current.	
	Remote control cable 12 pole - 4 pole	
0459 554 880	5 m	
0459 554 881	10 m	
0459 554 882	15 m	
0459 554 883	25 m	
0459 554 884	0.25 m	

	Adapter cable 10 pole - 12 pole	
0446089880	0.5 m	
0446089881	1 m	
	Connection set, 70 mm² 10 pole cable plug - 10 pole cable socket	
0459 528 780	1.7 m	
0459 528 781	5 m	
0459 528 782	10 m	
0459 528 783	15 m	
0459 528 784	25 m	
0459 528 785	35 m	
	Connection set, 95 mm² 10 pole cable plug - 10 pole cable socket	
0459 528 980	1.7 m	
	Connection set water, 70 mm² 10 pole cable plug - 10 pole cable socket	
0459 528 790	1.7 m	
0459 528 791	5 m	
0459 528 792	10 m	
0459 528 793	15 m	
0459 528 794	25 m	
0459 528 795	35 m	
	Connection set water, 95 mm² 10 pole cable plug - 10 pole cable socket	
0459 528 990	1.7 m	
0459 528 991	5 m	
0459 528 992	7 m	
0459 528 993	15 m	
0459 528 994	25 m	
0700 006 897	Return cable 5 m 95 mm²	

0456 855 880	Water flow guard 0.7 l/min	
0461 203 880	Water return flow guard Mech 7 m	
0459 579 880	MMC kit for power source Mig	
0459 546 880	Connection set for connection of two wire feed units	
0414 191 881	Cooling unit OCE2H	
0465 720 002	<p>ESAB ready mixed coolant (10 l / 2.64 gal) Use of any other cooling liquid than the prescribed one might damage the equipment. In case of such damage, all warranty undertakings from ESAB cease to apply.</p>	



A WORLD OF PRODUCTS AND SOLUTIONS.



For contact information visit esab.com

ESAB AB, Lindholmsallén 9, Box 8004, 402 77 Gothenburg, Sweden, Phone +46 (0) 31 50 90 00

manuals.esab.com

